

## TRANSPLANT SELECTION GUIDE

- Liver Transplant/  
Resection
- Kidney Transplant
- Minimal Access

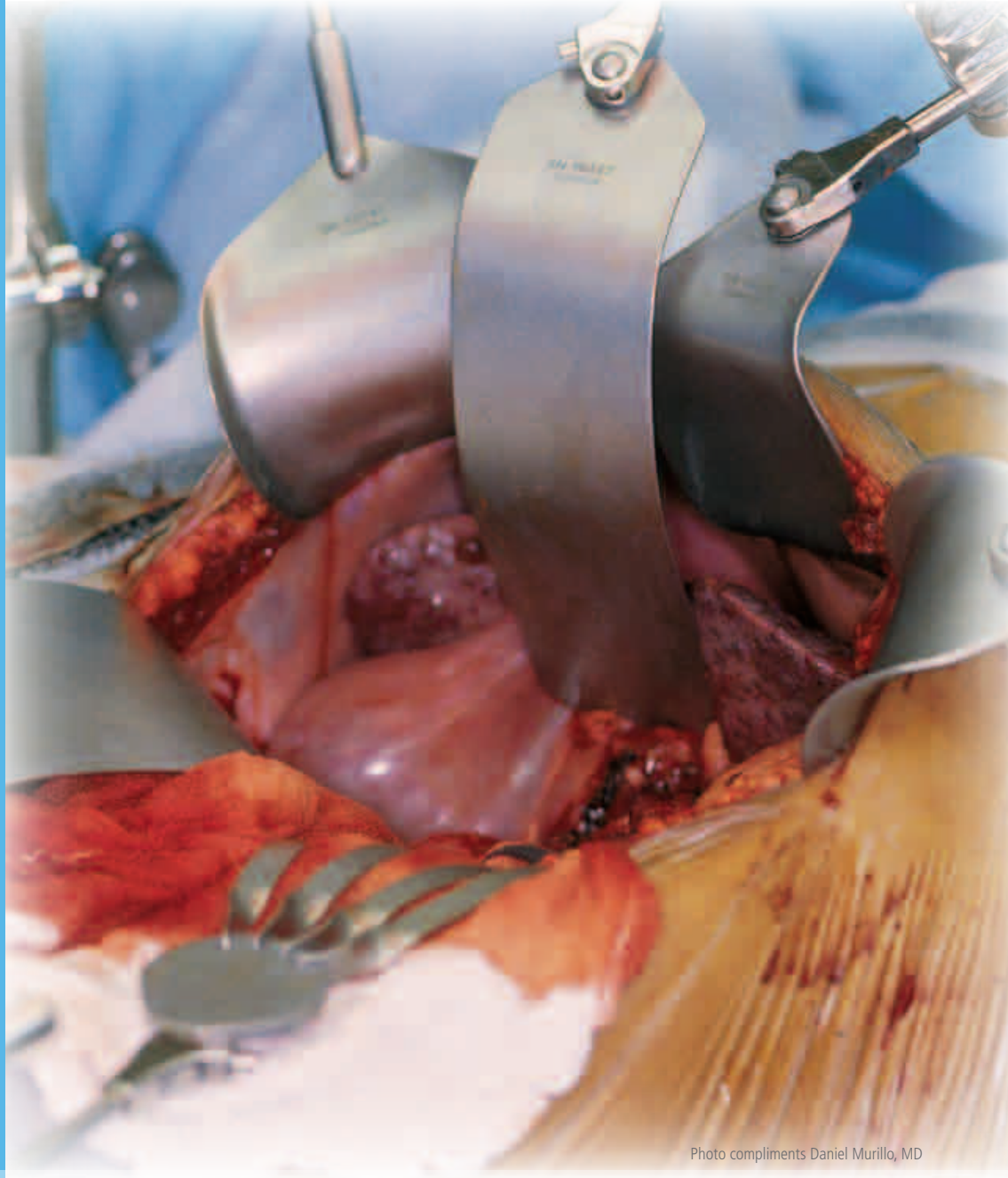


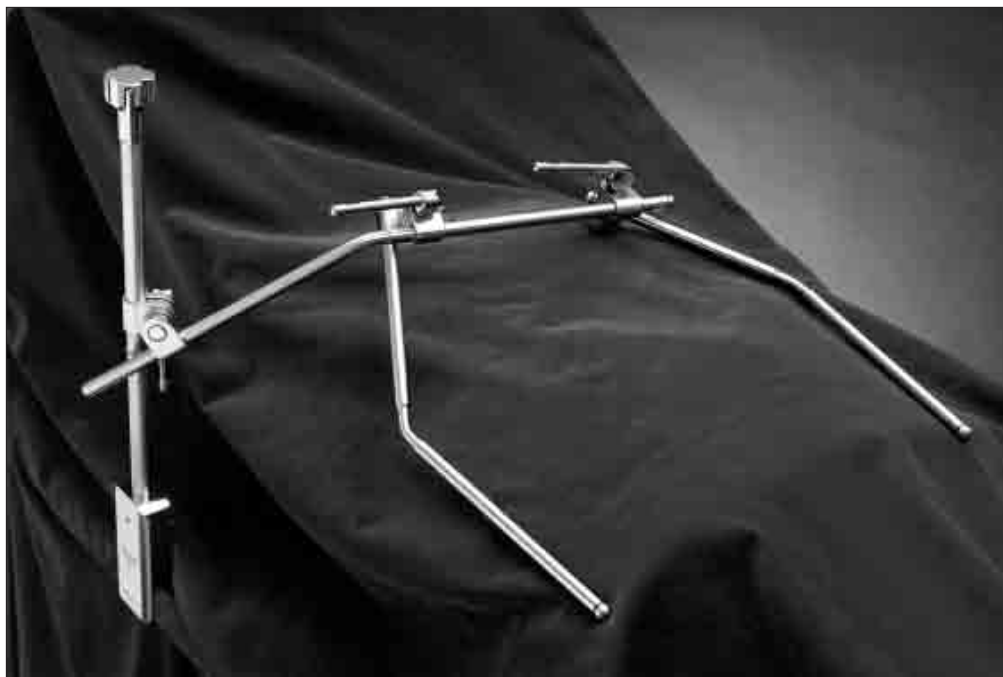
Photo compliments Daniel Murillo, MD

*Uncompromised Exposure*

# Thompson Retractor Frames

*Select a Frame, then add retractor kit(s) of choice*

## Elite II Quick Frame

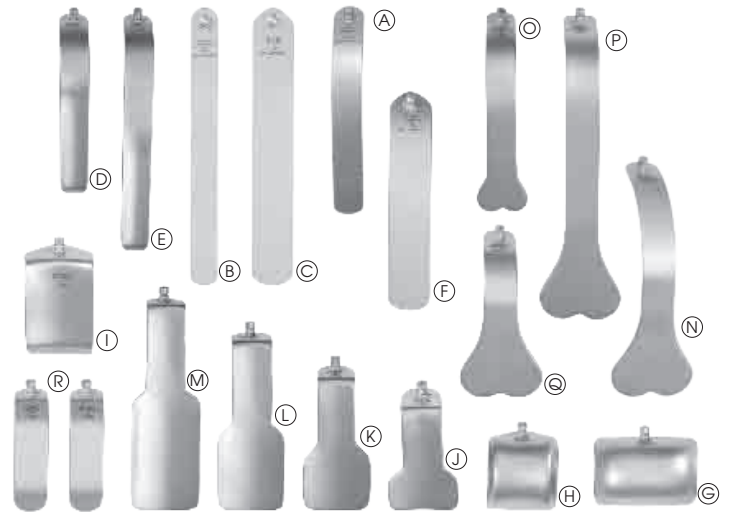
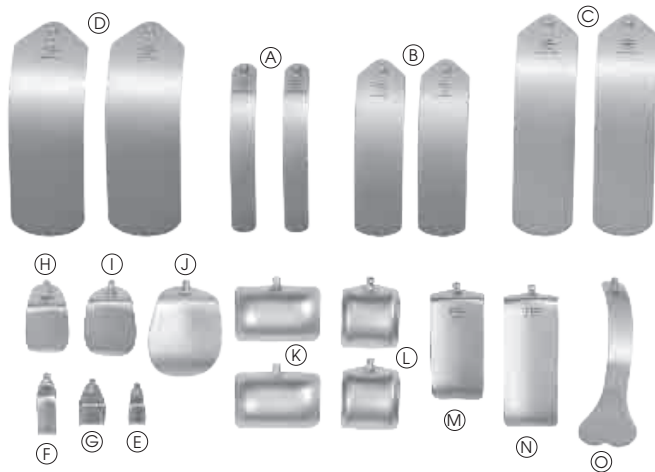


90011B		Thompson Elite II Quick Frame
1	41902AC	Elite II Rail Clamp w/1 Cam Joint 18"
1	41900BC	Crossbar w/2 Cam Joints 24"
2	44118N	18" Angled Arm 8" x 10" @ 45°
2	44124N	24" Angled Arm 8" x 16"
3	42126WA	Cam II Clip-on w/Angling Head 8"
2	45006CA	Micro-Adjustable II Clip-on Angling 10"
1	43032	Angling Head Wrench

- Quick set up
- Sterile mount rail clamps
- Independently adjusted lateral arms
- Secure cam lock joints
- All one-piece components

# Retractor Blade Kits

## Kidney Transplant Kits



### 91045L Kidney Transplant Blade Kit

- Ⓐ 2 46118 Malleable 25mm x 203mm (1" x 8")
- Ⓑ 2 46122 Malleable 51mm x 203mm (2" x 8")
- Ⓒ 2 46124 Malleable 64mm x 254mm (2 1/2" x 10")
- Ⓓ 2 46124A Malleable 76mm x 254mm (3" x 10")
- Ⓔ 1 46125 Richardson 19mm x 25mm (3/4" x 1")
- Ⓕ 1 46125A Richardson 19mm x 51mm (3/4" x 2")
- Ⓖ 1 46126 Richardson 25mm x 32mm (1" x 1 1/4")
- Ⓗ 1 46127 Kelly 38mm x 51mm (1 1/2" x 2")
- Ⓘ 1 46128 Kelly 51mm x 64mm (2" x 2 1/2")
- Ⓙ 1 46129 Kelly 64mm x 76mm (2 1/2" x 3")
- Ⓚ 2 46140P Balfour 76mm x 51mm (3" x 2")
- Ⓛ 2 46142P Balfour 51mm x 57mm (2" x 2 1/4")
- Ⓜ 1 46150 Richardson 51mm x 102mm (2" x 4")
- Ⓝ 1 46151 Richardson 51mm x 127mm (2" x 5")
- Ⓞ 1 46160 Harrington 64mm x 152mm (2 1/2" x 6")

Frame not included

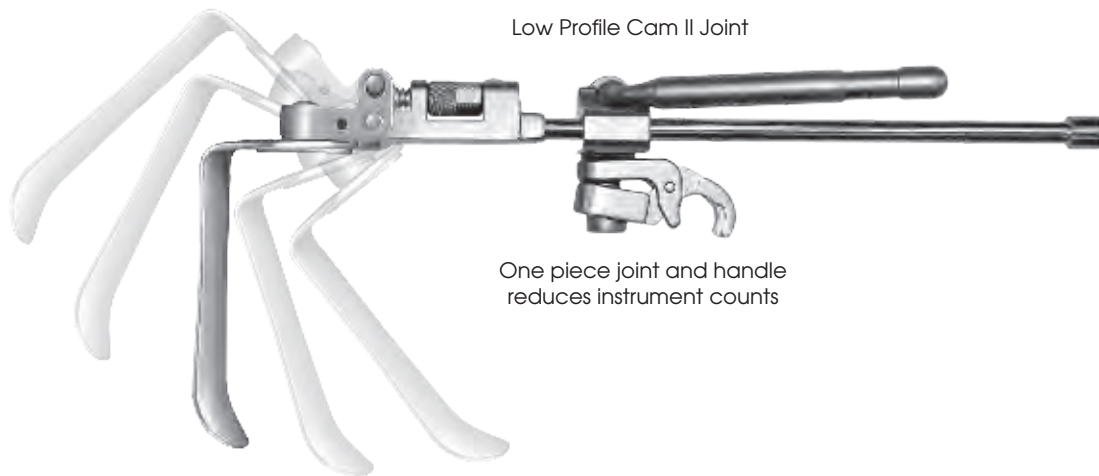
### 91051 Minimal Access Retractor Blade Kit

- Ⓐ 1 46118 Malleable 25mm x 203mm (1" x 8")
- Ⓑ 1 46118A Malleable 25mm x 254mm (1" x 10")
- Ⓒ 1 46118B Malleable 38mm x 254mm (1 1/2" x 10")
- Ⓓ 1 46119B Concave Renal Vein 25mm x 140mm (1" x 5 1/2")
- Ⓔ 1 46119C Concave Renal Vein 25mm x 191mm (1" x 7 1/2")
- Ⓕ 1 46123 Malleable 28mm x 203mm (1 1/2" x 8")
- Ⓖ 1 46140P Balfour 76mm x 51mm (3" x 2")
- Ⓗ 1 46142P Balfour 51mm x 57mm (2" x 2 1/4")
- Ⓘ 1 46154 Richardson 51mm x 76mm (2" x 3")
- Ⓙ 1 46155 MAS Richardson 51mm x 76mm (2" x 3")
- Ⓚ 1 46156 MAS Richardson 51mm x 102mm (2" x 4")
- Ⓛ 1 46157 MAS Richardson 51mm x 127mm (2" x 5")
- Ⓜ 1 46158 MAS Richardson 51mm x 152mm (2" x 6")
- Ⓝ 1 46160 Harrington 64mm x 152mm (2 1/2" x 6")
- Ⓞ 1 46162P Harrington 38mm x 127mm (1 1/2" x 5")
- Ⓟ 1 46163 Harrington 64mm x 203mm (2 1/2" x 8")
- Ⓠ 1 46165 Harrington 64mm x 102mm (2 1/2" x 4")
- Ⓡ 2 46660 Double Angled 25mm x 76mm (1" x 3")

Frame not included

# State-of-the-Art Exposure

## Angling Retractor Handles



Low Profile Cam II Joint

One piece joint and handle  
reduces instrument counts

Infinite, precise blade placement

## Micro-Adjustable Handle



Quick locking blade change

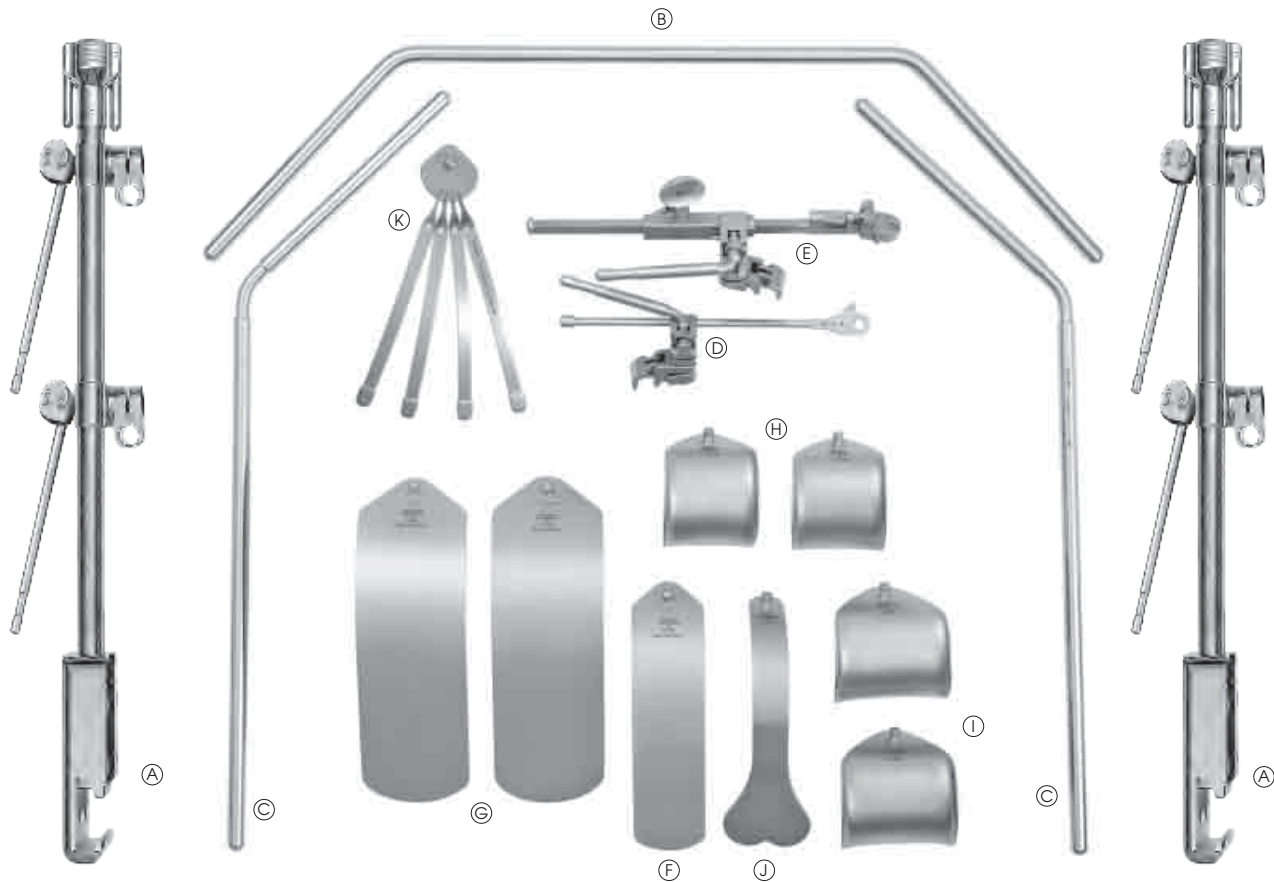
**NEW**

Cool, bright  
xenon light

Life Wand Xe  
40001X

# Upper Abdominal Retractor

*The Best Liver Transplant Retractor in the World*



## 90055A Upper Abdominal Retractor System

Qty.	Item #	Description
(A) 2	41903AC	Elite II Rail Clamp w/2 Cam Joints 18"
(B) 1	41900F	Bilateral Crossbar
(C) 2	44124N	24" Angled Arm 8" x 16"
(D) 3	42126WH	Cam II Clip-on w/8" Handle
(E) 2	45006CA	Micro-Adjustable II Clip-on Angling 10"
(F) 1	46122	Malleable 51mm x 203mm (2" x 8")
(G) 2	46124A	Malleable 76mm x 254mm (3" x 10")
(H) 2	46140C	Balfour w/o Lips 70mm x 76mm (2 3/4" x 3")
(I) 2	46141C	Balfour w/o Lips 83mm x 76mm (3 1/4" x 3")
(J) 1	46160	Harrington 64mm x 152mm (2 1/2" x 6")
(K) 1	46191	Malleable Finger 6"

*optional wider Crossbar 41900HL*

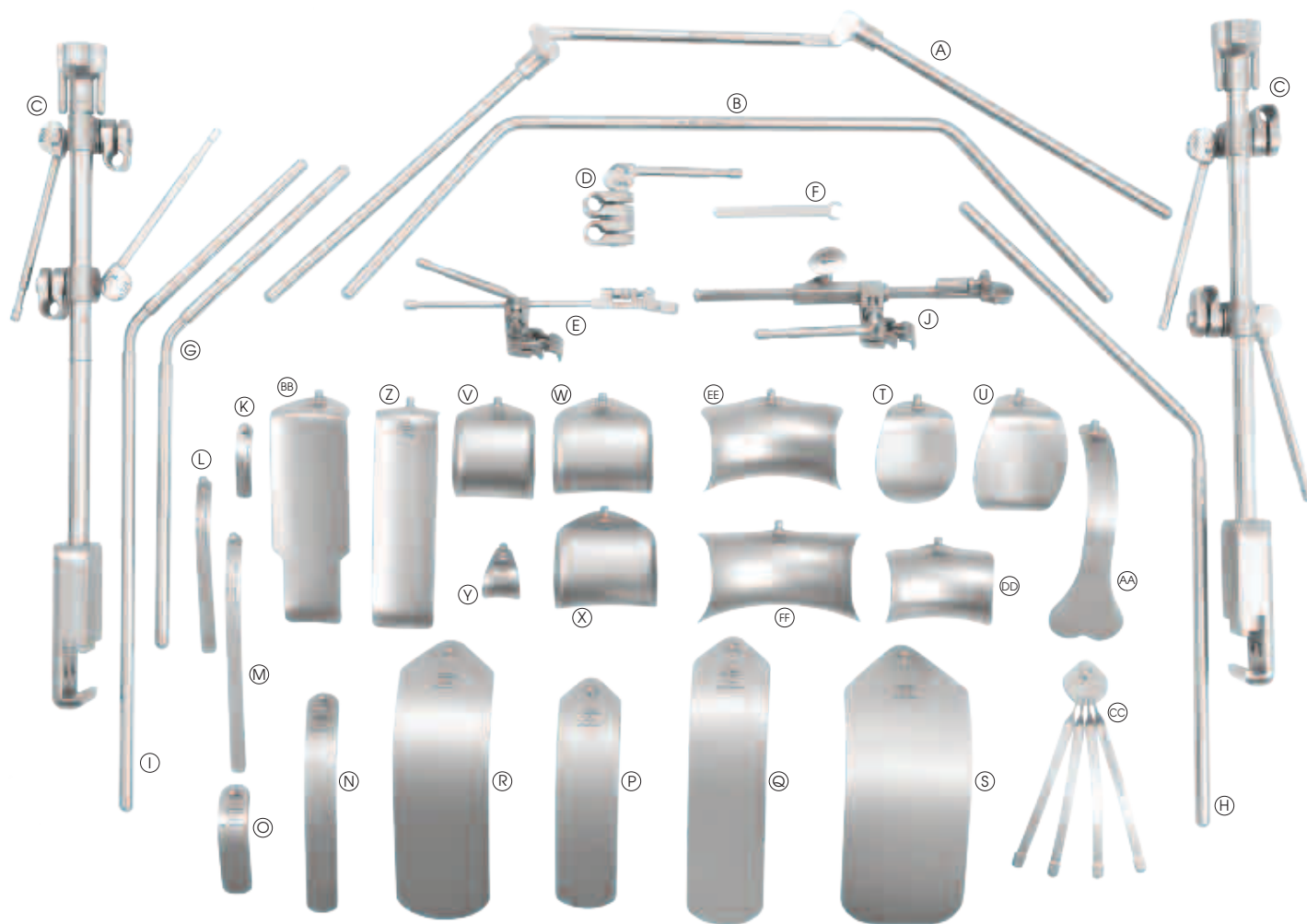
# Liver Transplant/Resection System



- Uncompromised exposure for major abdominal surgery
- Sterile mount rail clamps
- Bilateral rigidity
- One-piece handles/joints

*Customize to your unique needs.*

# Liver Transplant/Resection System

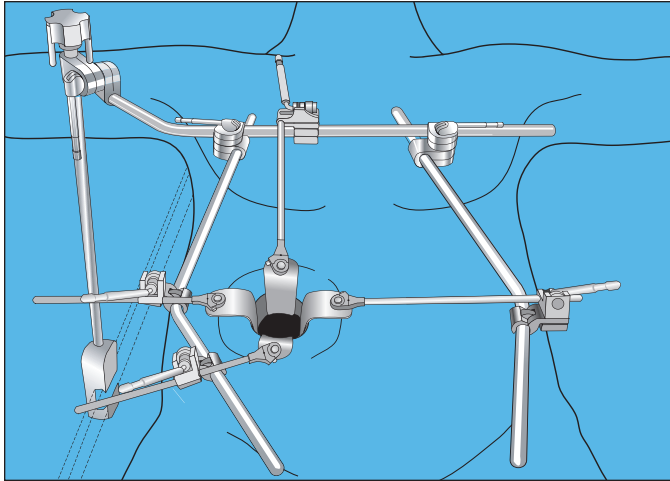


## 91034A Liver Transplant/Resection System

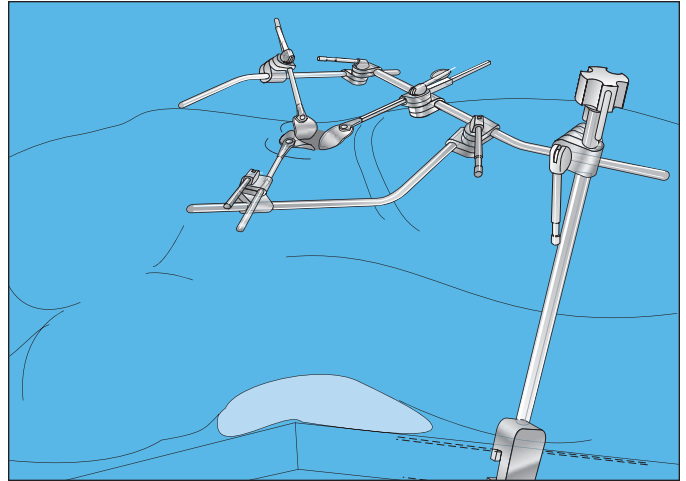
(A) 1	41900H	Bilateral Crossbar Hinged 11" x 8 1/2" x 11"	(R) 1	46124A	Malleable 76mm x 254mm (3" x 10")	
(B) 1	41900F	Bilateral Crossbar	(S) 1	46124B	Malleable 102mm x 254mm (4" x 10")	
(C) 2	41903AC	Elite II Rail Clamp w/2 Cam Joints 18"	(T) 1	46129	Kelly 64mm x 76mm (2 1/2" x 3")	
(D) 2	42112C	Cam I Joint - Serrated 1/2" x 1/2"	(U) 2	46130	Kelly 89mm x 76mm (3 1/2" x 3")	
(E) 8	42126WA	Cam II Clip-on w/Angling Head "s"	(V) 1	46140C	Balfour 70mm x 76mm (2 3/4" x 3") w/o Lips	
(F) 1	43032	Angling Head Wrench	(W) 2	46141	Balfour 83mm x 76mm (3 1/4" x 3")	
(G) 1	44118N	18" Angled Arm 8" x 10" @ 45°	(X) 2	46141C	Balfour 83mm x 76mm (3 1/4" x 3") w/o Lips	
(H) 2	44124W	24" Angled Arm	(Y) 4	46142	Balfour 30mm x 30mm (1 1/5" x 1 1/5")	
(I) 1	44124N	24" Angled Arm 8" x 16"	(Z) 1	46153	Richardson 57mm x 178mm (2" x 7")	
(J) 2	45006CA	Micro-Adjustable II Clip-on Angling 10"	(AA) 1	46160	Harrington 64mm x 152mm (2 1/2" x 6")	
(K) 2	46115	Malleable 13mm x 64mm (1/2" x 2 1/2")	(BB) 1	46188	St. Mark's 64mm x 178mm (2 1/2" x 7")	
(L) 2	46116	Malleable 13mm x 152mm (1/2" x 6")	(CC) 2	46191	Malleable Finger 6"	
(M) 2	46117	Malleable 13mm x 203mm (1/2" x 8")	(DD) 1	46241A	Balfour 83mm x 57mm (3 1/4" x 2 1/4")	
(N) 1	46118	Malleable 25mm x 203mm (1" x 8")	(EE) 1	46241B	Balfour 102mm x 57mm (4" x 2 1/4")	
(O) 1	46118P	Malleable 25mm x 102mm (1" x 4")	(FF) 1	46241C	Balfour 114mm x 57mm (4 1/2" x 2 1/4")	
(P) 1	46122	Malleable 51mm x 203mm (2" x 8")		2	50000G	Instrument Case 22" x 11" x 3 1/2"
(Q) 2	46124	Malleable 64mm x 254mm (2 1/2" x 10")		1	50000BL	Instrument Case 26" x 10" x 5"

The Liver Transplant System includes the Frame, Handles and Blades.

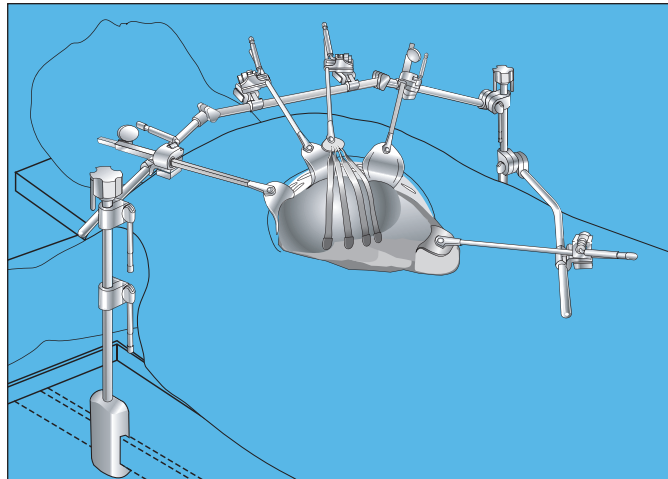
## *Uncompromised Exposure*



Kidney Transplant



Minimal Access



Liver Transplant/Resection